

# TA104 Series

Dual Output, Temperature/Acceleration, Side Exit Connector/Cable,  
100 mV/g, 10 mV/°C

SECTION I - VIBRATION SENSORS  
Accelerometers

Actual Product Size Shown  
**CE**

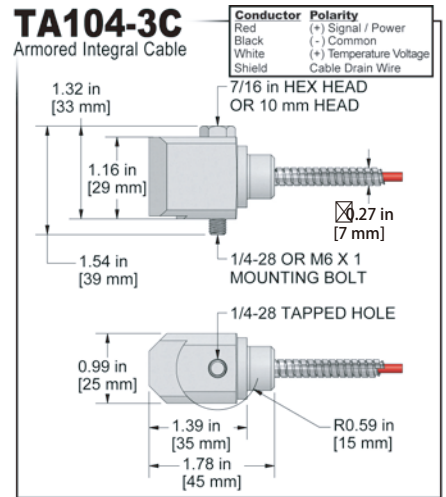
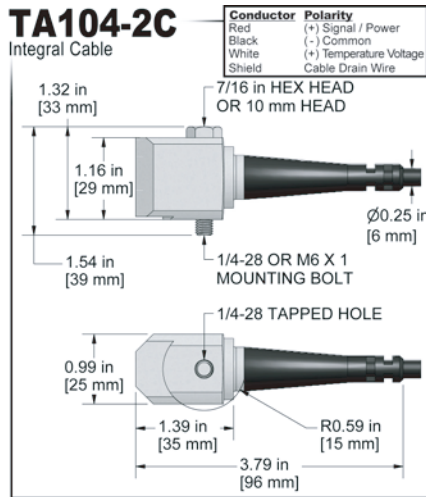
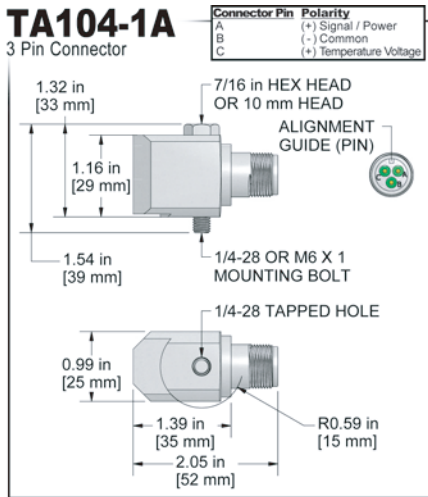


Requires **Multi-Conductor Cable**

## Product Features

**Temperature Output 10 mV/°C**  
High Performance in a Low Cost Sensor

- Standard 3 Pin MIL Connection
- Temperature and Acceleration in One Sensor
- Affordably Priced



Specifications	Standard	Metric
Part Number	TA104	M/TA104
Sensitivity (±10%)	100 mV/g	
Frequency Response (±3dB)	30-600,000 CPM	0.5-10000 Hz
Frequency Response (±10%)	120-300,000 CPM	2.0-5000 Hz
Dynamic Range	± 80 g, peak	
Temperature Measurement Range	37° to 250° F	3° to 121° C
Temperature Output	10 mV/°C	
<b>Electrical</b>		
Settling Time	<2.5 seconds	
Voltage Source (IEPE)	18-30 VDC	
Constant Current Excitation	2-10 mA	
Spectral Noise @ 10 Hz	8 µg/√ Hz	
Spectral Noise @ 100 Hz	0.82 µg/√ Hz	
Spectral Noise @ 1000 Hz	0.3 µg/√ Hz	
Output Impedance	<100 ohm	
Bias Output Voltage	10-14 VDC	
Case Isolation	>10 <sup>9</sup> ohm	

Specifications	Standard	Metric
<b>Environmental</b>		
Temperature Range	-40 to 250°F	-40 to 121°C
Maximum Shock Protection	5,000 g, peak	
Electromagnetic Sensitivity	CE	
Sealing	IP68	
Submersible Depth (TA104-2C/3C)	200 ft.	60 m
<b>Physical</b>		
Sensing Element	PZT Ceramic	
Sensing Structure	Shear Mode	
Weight	5.6 oz	160 grams
Case Material	316L Stainless Steel	
Mounting	1/4-28	
Connector (non-integral)	3 Pin MIL-C-5015	
Resonant Frequency	1,260,000 CPM	21000 Hz
Mounting Torque	2 to 5 ft. lbs.	2,7 to 6,8 Nm
Mounting Hardware	1/4-28 Captive Bolt	M6x1 Captive Bolt
Calibration Certificate	CA10	

## Ordering Information

Standard	TA104-1A	TA104-2C - /	TA104-3C - /
	(1/4-28 Captive Bolt) <b>Stock Product</b>	(1/4-28 Captive Bolt) <b>Build To Order</b>	(1/4-28 Captive Bolt) <b>Build To Order</b>
		(length in feet) (termination)	(maximum armor length 100 ft.) (cable length in feet) (termination)
Metric	M/TA104-1A	M/TA104-2C - /	M/TA104-3C - /
	(M6x1 Captive Bolt) <b>Stock Product</b>	(M6x1 Captive Bolt) <b>Build To Order</b>	(M6x1 Captive Bolt) <b>Build To Order</b>
		(length in meters) (termination)	(maximum armor length 30 m) (cable length in meters) (termination)

Cable Termination Options:



VIBRATION ANALYSIS HARDWARE